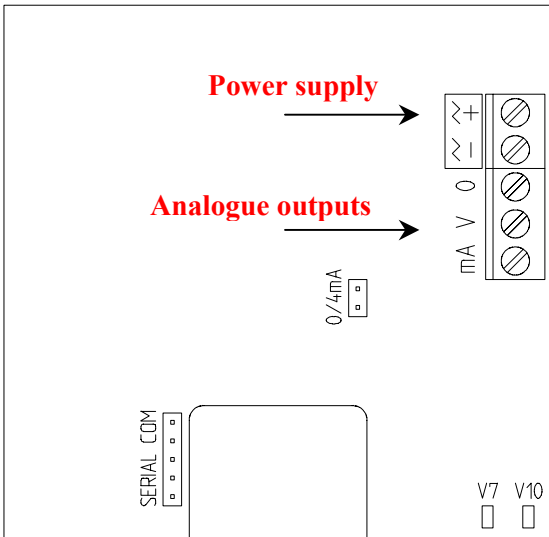


Vaisala GMW20 (GMW21/GMW22) carbon dioxide transmitter

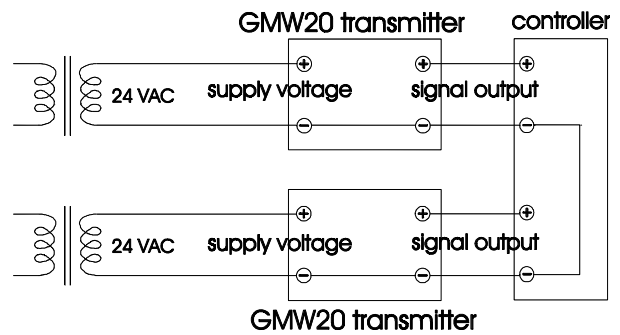
Power supply:	nominal 24 VDC/VAC (18...30 VDC)
Analogue outputs:	0...20 mA or 4...20 mA and 0...10 V
CO₂ Measuring range:	0...2000 ppm CO ₂ (nominal); with special calibration 0...5000 ppm, 0...10 000 ppm, 0...20 000 ppm
Operating temperature:	-5...+45 °C
Operating humidity:	0...85 % RH (non-condensing)

Wiring diagram



Connection to a 24 VAC power supply

A) No common loop - RECOMMENDED!



B) Common loop formed - NOT recommended!

